

# Double-Arm Wall Mirror

MIRROR  
IMAGE™  
BY KIMBALL & YOUNG

## SPECIFICATIONS:

### DESCRIPTION

#### MIRROR:

- 1 ROUND MIRROR WITH 5 X MAGNIFICATION.
- 1 ROUND MIRROR WITHOUT MAGNIFICATION.

#### FRAME, ARM & BRACKET:

- BRACKET FOR WALL MOUNTING W/ COVER PLATE.
- ROUND FRAME WITH 2 WAY 360° ROTATION.
- 13" EXTENSION ARM WITH 180° ROTATION.

### MATERIALS

#### MIRROR:

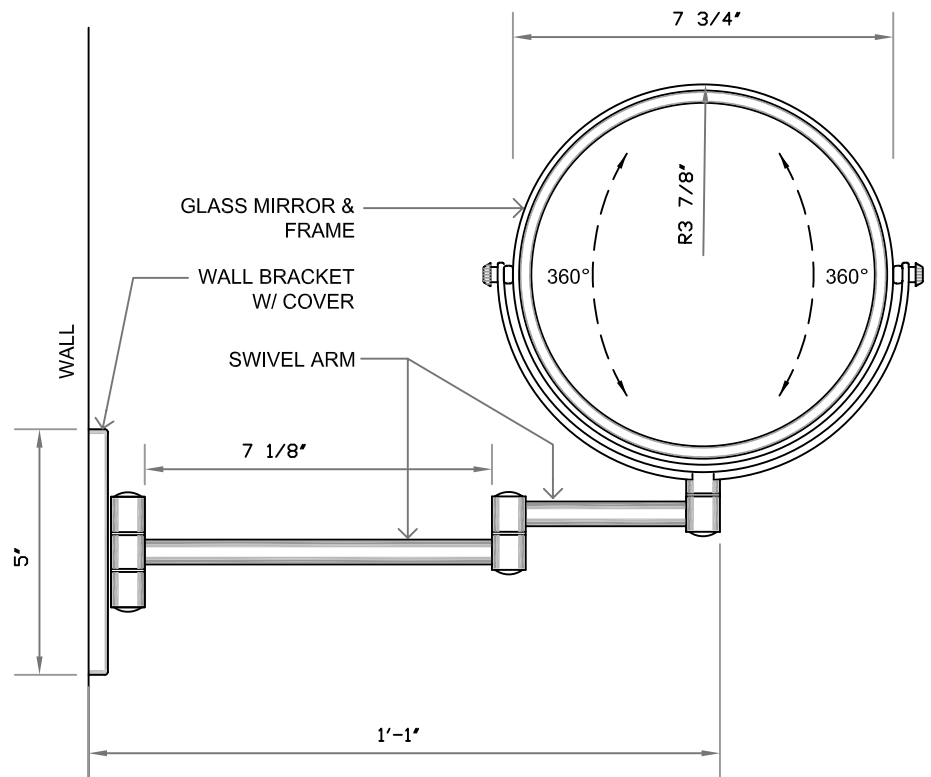
- OPTICAL GLASS.

#### FRAME, ARM & BRACKET:

- BRASS OVER STEEL.
- FINISH: AS SELECTED PER MODEL NUMBER, LACQUER OVER NICKEL COATING.

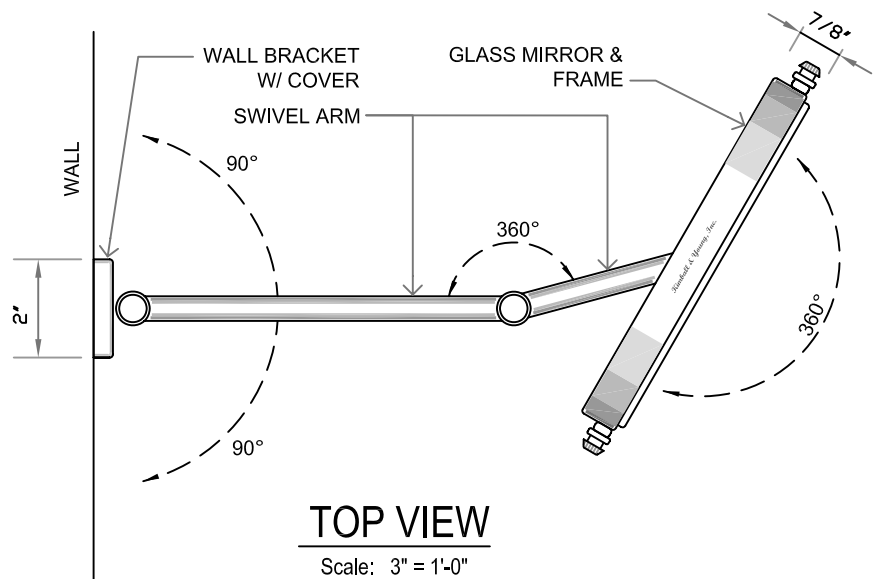
### MODEL NUMBERS:

- 21135 - TWO / TONE GOLD CHROME.
- 21145 - CHROME.
- 21155 - BRUSHED COPPER.
- 21165 - DIABLO BRONZE.
- 21175 - BRUSHED NICKEL.



**SIDE VIEW**

Scale: 3" = 1'-0"



**TOP VIEW**

Scale: 3" = 1'-0"

© KIMBALL & YOUNG, INC  
Copyright 2009

*Kimball & Young, Inc. ©*

MIRRORS When Quality & Value Matter