

SPECIFICATIONS:

DESCRIPTION

MIRROR:

- 1 LIGHTED ROUND MIRROR WITH 5 X MAGNIFICATION.
- 1 LIGHTED ROUND MIRROR WITHOUT MAGNIFICATION.

FRAME, ARM & BRACKET:

- BRACKET FOR WALL MOUNTING W/ COVER PLATE.
- ROUND FRAME WITH 2 WAY 360° ROTATION.
- 14 1/8" EXTENSION ARM WITH 180° ROTATION.

CONFORMS TO UL STD. 1598 MIL
MODEL: 953X5HW

120V 60 Hz MAX 25W

DRY LOCATIONS ONLY.

MATERIALS

MIRROR:

- OPTICAL GLASS.

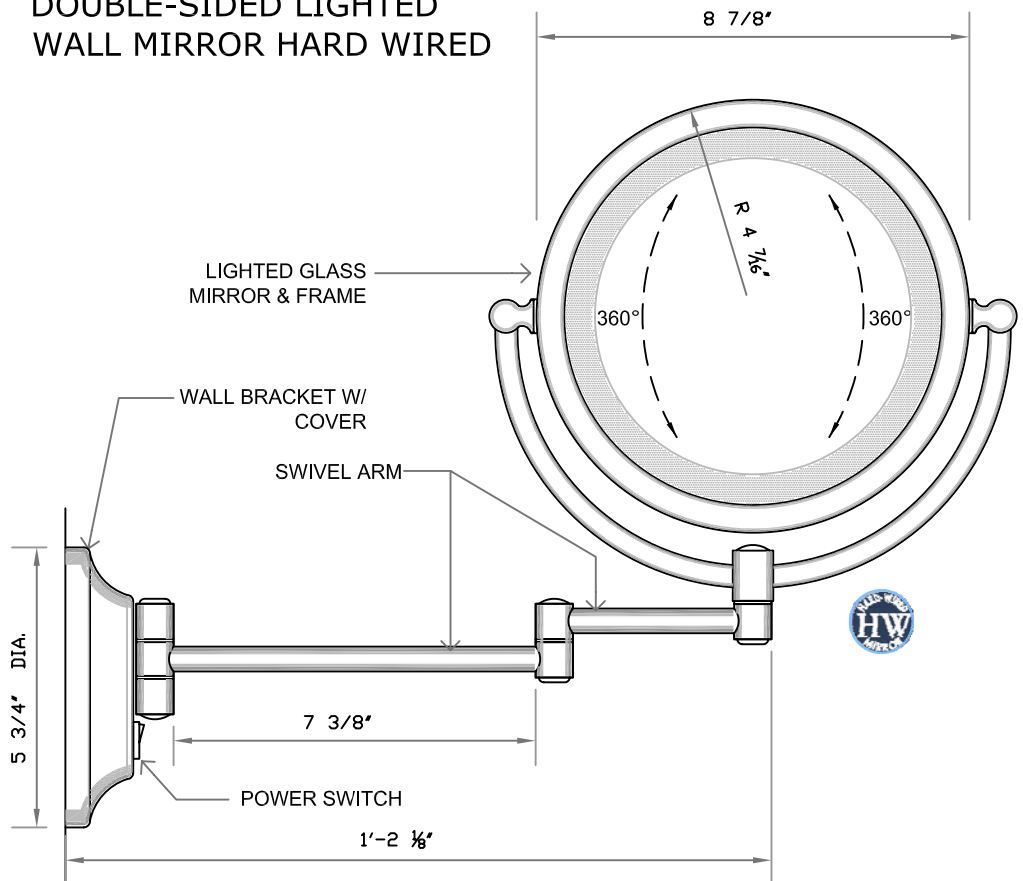
FRAME, ARM & BRACKET:

- BRASS OVER STEEL.
- FINISH: AS SELECTED PER MODEL NUMBER, LACQUER OVER NICKEL COATING.

MODEL NUMBERS:

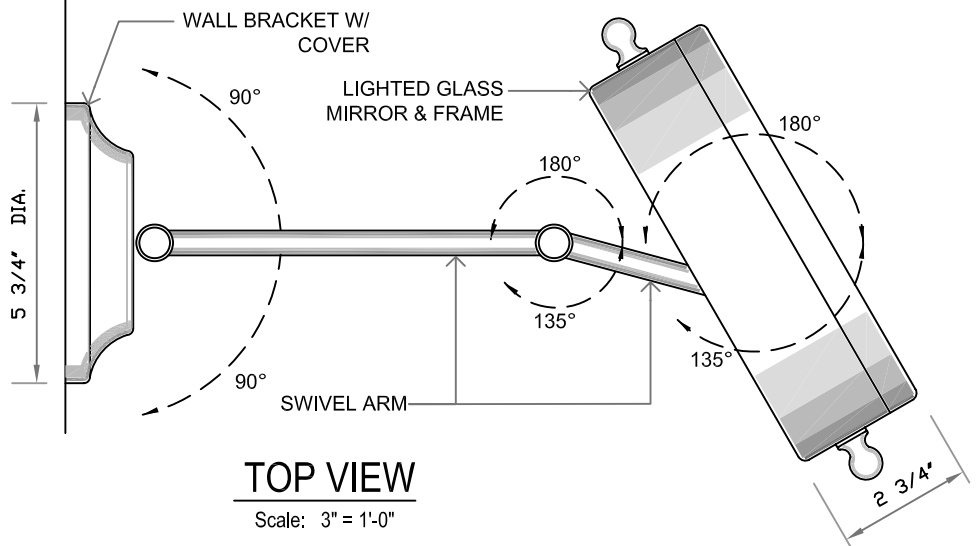
- 95325HW - GOLD.
- 95345HW - CHROME.
- 95355HW - BRUSHED COPPER.
- 95365HW - DIABLO BRONZE.
- 95375HW - BRUSHED NICKEL.
- 95385HW - POLISHED NICKEL.

DOUBLE-SIDED LIGHTED WALL MIRROR HARD WIRED



SIDE VIEW

Scale: 3" = 1'-0"



TOP VIEW

Scale: 3" = 1'-0"

© KIMBALL & YOUNG, INC
Copyright 2009

Kimball & Young, Inc. ©

M I R R O R S When Quality & Value Matter